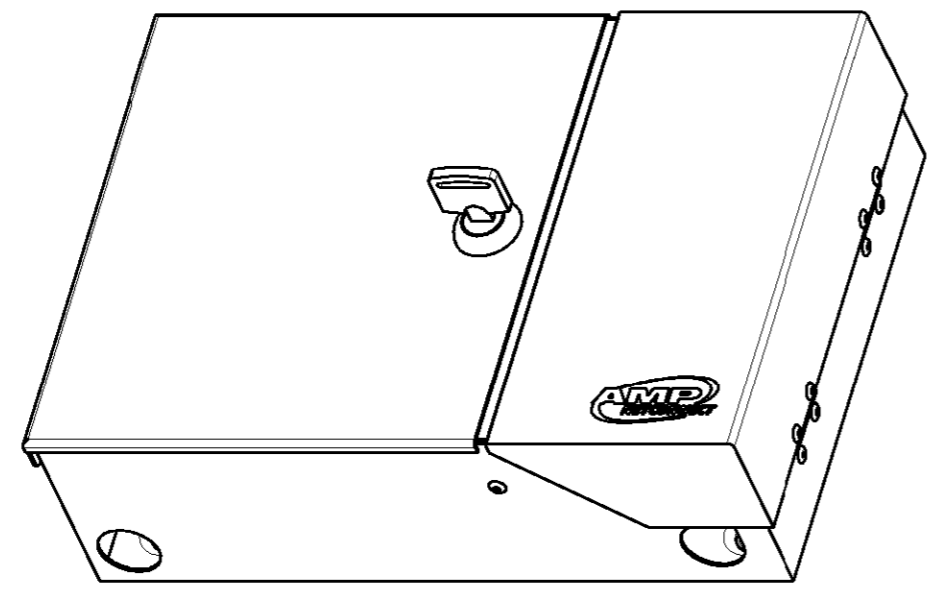
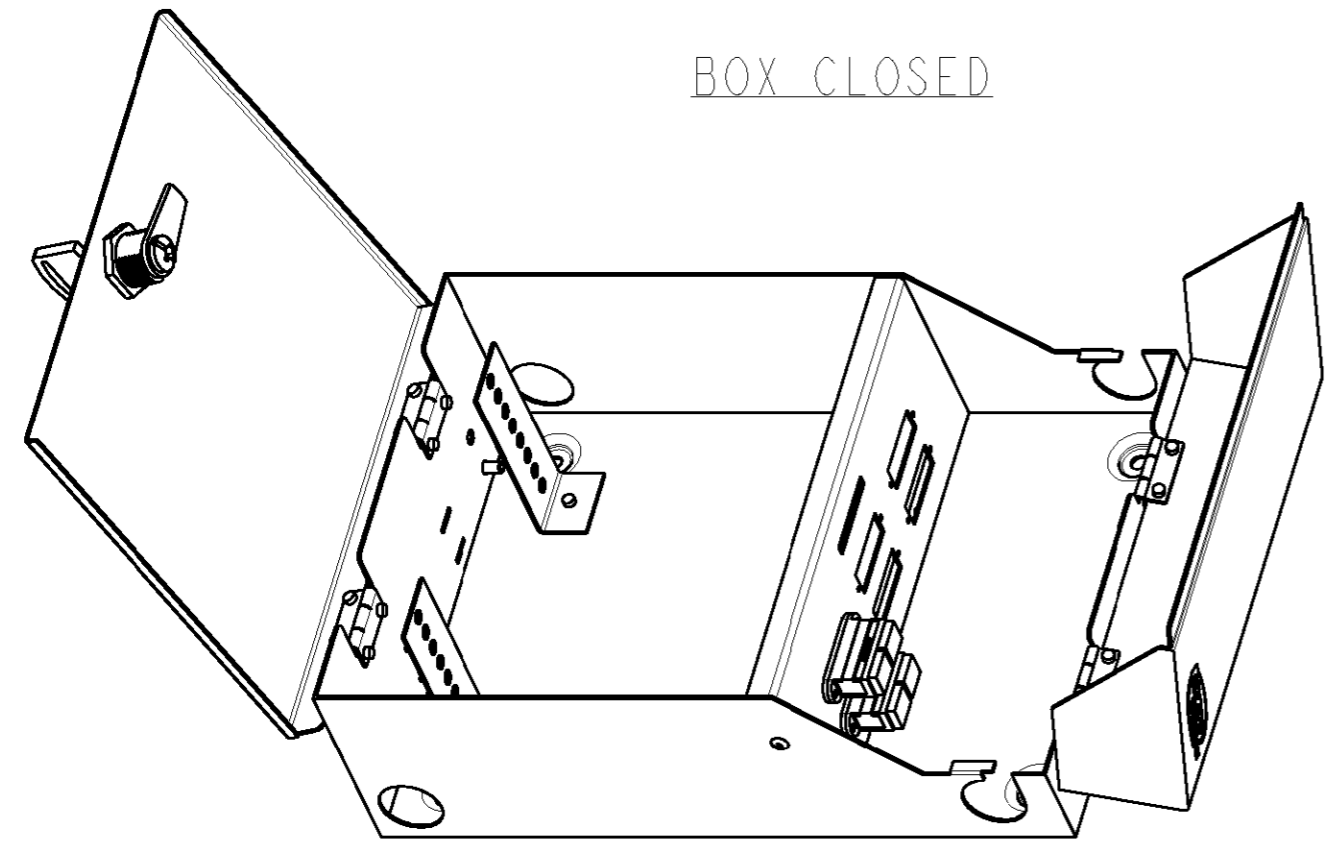


THIS DRAWING IS UNPUBLISHED. RELEASED FOR PUBLICATION .19  
 © COPYRIGHT 19 BY AMP INCORPORATED. ALL RIGHTS RESERVED.

LOC	DIST	REVISIONS					
		P	LTR	DESCRIPTION	DATE	DWN	APVD
DY	-		A	ECOC TRANSFER PER FP00-0122-02	9MAY02	LWY	ERIC



BOX CLOSED



BOX OPENED

NOTES:

- FIBRE-OPTIC WALL-MOUNTED BOX (P/N:84751-1) CONSISTS OF:
  - A. EPOXY POWDER COATED METAL BOX AND PLATE (COVER) OF LIGHT ALMOND COLOR.
  - B. EPOXY POWDER COATED SC PLATE (BOX DIVIDER) OF LIGHT ALMOND COLOR.
  - C. EPOXY POWDER COATED HOLDING BRACKET OF LIGHT ALMOND COLOR.
  - D. KEYLOCK ASSY WITH 2 KEYS.
  - E. SC DULPEX ADAPTER.
- MATERIAL:
  - A. METAL BOX, PLATE AND HOLDING BRACKET : EG STEEL
  - B. SC PLATE : ALUMINIUM 5052
- PACKAGING:
  - ONE CARTON BOX CONSISTS OF:
    - A. 2 SET OF FIBRE-OPTIC WALL-MOUNTED BOXES, EACH IN PLASTIC BAG.
  - EACH FIBRE-OPTIC WALL-MOUNTED BOX CONSISTS OF:
    - A. 2 PCS OF M4 SCREW
    - B. 4 PCS OF SADDLE
    - C. 2 KEYS
    - D. SC DUPLEX ADAPTER (P/N:504640-1)  
(REFER TO P/N TABLE FOR DIFFERENT CONFIGURATION)

12	6	LIGHT ALMOND	84751-5
8	4	LIGHT ALMOND	84751-4
6	3	LIGHT ALMOND	84751-3
4	2	LIGHT ALMOND	84751-2
	NONE	LIGHT ALMOND	84751-1
PORT CAPACITY	NO. OF SC DUPLEX ADAPTER	COLOR	P/N

<small>THIS DRAWING IS A CONTROLLED DOCUMENT FOR AMP INCORPORATED. IT IS SUBJECT TO CHANGE AND THE CONTROLLING ENGINEERING ORGANIZATION SHOULD BE CONTACTED FOR THE LATEST REVISION.</small>		DWN	24-NOV-00	AMP MANUFACTURING (SINGAPORE) PTE. LTD.				
DIMENSIONS: mm		CHK	ALAN		NAME FIBRE-OPTIC WALL-MOUNTED BOX			
		APVD	ERIC					
TOLERANCES UNLESS OTHERWISE SPECIFIED: 0 PLC ±- 1 PLC ±1 2 PLC ±0.35 3 PLC ±0.25 4 PLC ±- ANGLES ±1°		PRODUCT SPEC	-	SIZE	CAGE CODE	DRAWING NO		
MATERIAL - FINISH -		APPLICATION SPEC	-	A3	00779	C-84751		
		WEIGHT	-	CUSTOMER DRAWING		SCALE 2:5	SHEET 1 OF 2	REV A

4

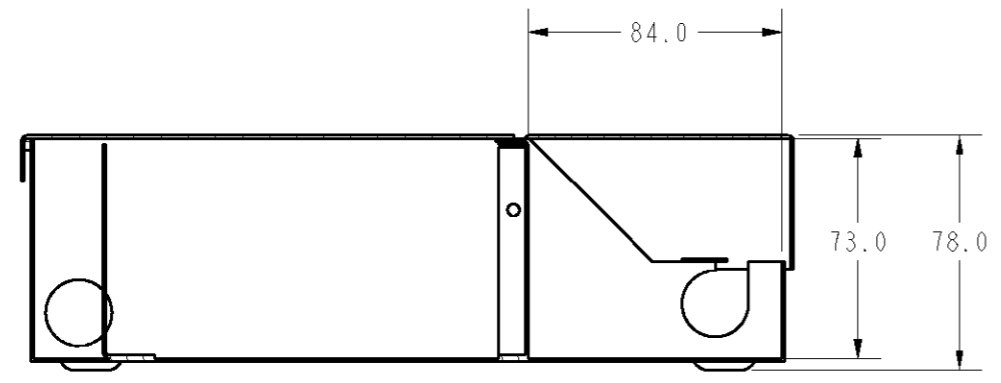
3

2

1

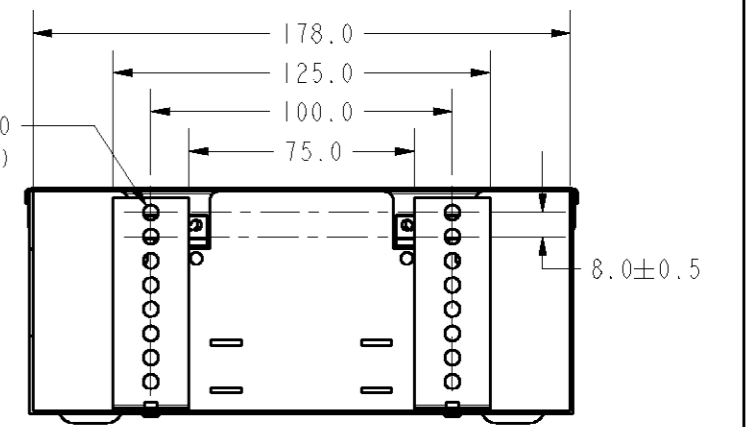
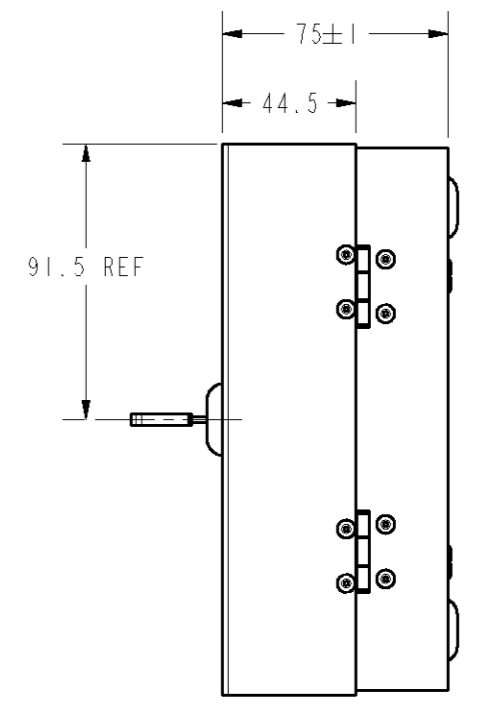
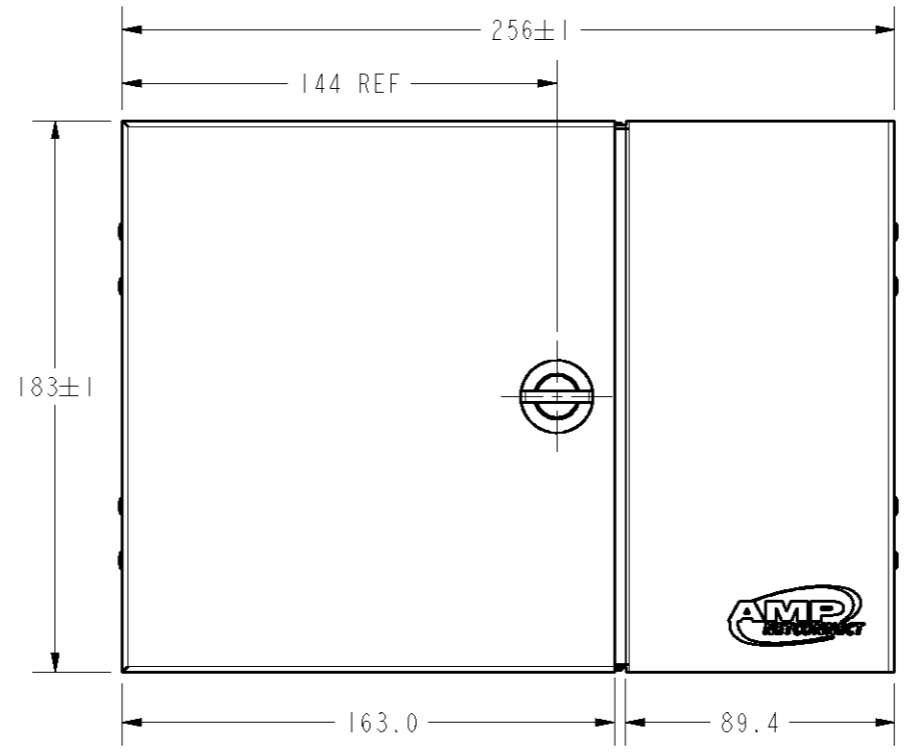
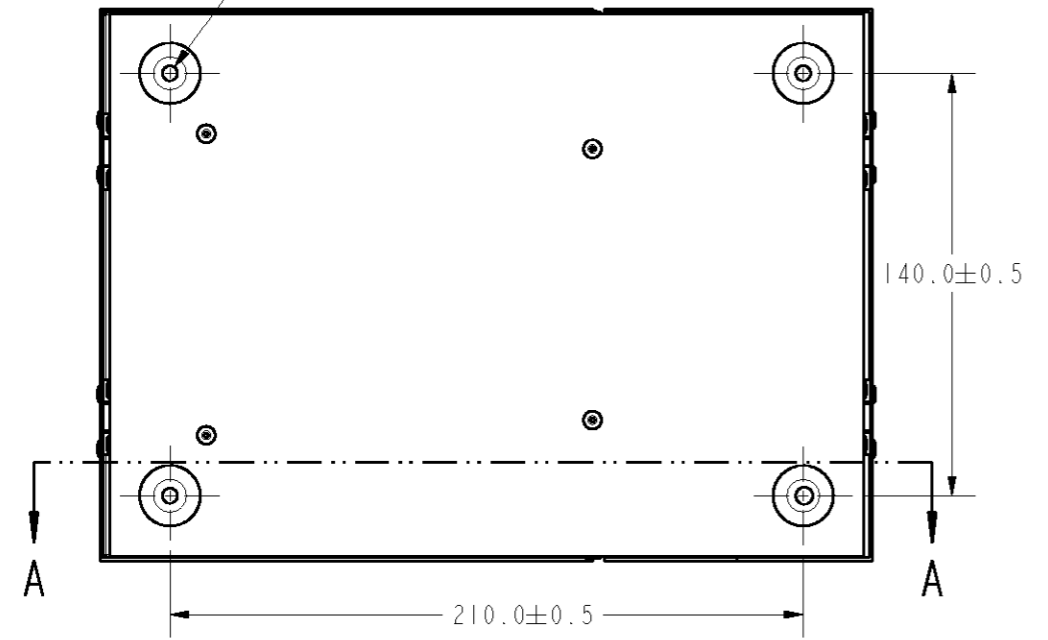
THIS DRAWING IS UNPUBLISHED. RELEASED FOR PUBLICATION .19  
 © COPYRIGHT 19 BY AMP INCORPORATED. ALL RIGHTS RESERVED.

LOC	DIST	REVISIONS			
P	LTR	DESCRIPTION	DATE	DWN	APVD
DY	-	SEE SHEET 1			

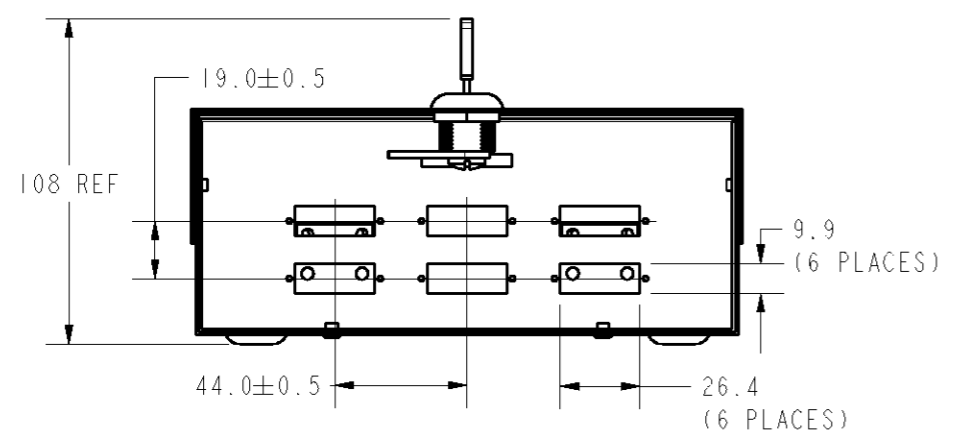


SECTION A-A

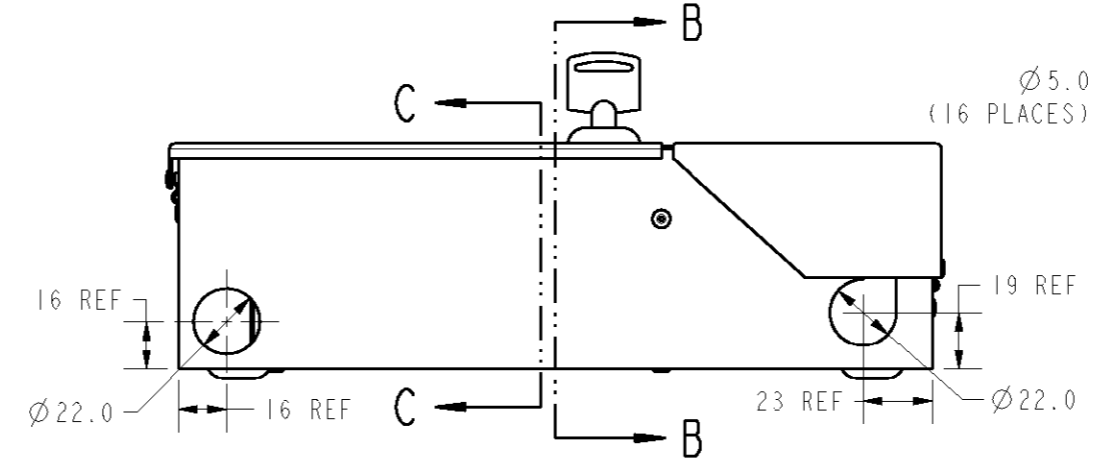
Ø5(4 PLACES)  
(THRU' HOLE)



SECTION C-C



SECTION B-B



<small>THIS DRAWING IS A CONTROLLED DOCUMENT FOR AMP INCORPORATED. IT IS SUBJECT TO CHANGE AND THE CONTROLLING ENGINEERING ORGANIZATION SHOULD BE CONTACTED FOR THE LATEST REVISION.</small>		DWN 24-NOV-00 WYLEE CHK ALAN APVD FRIC TNG PRODUCT SPEC - APPLICATION SPEC - WEIGHT -	<b>AMP</b> AMP MANUFACTURING (SINGAPORE) PTE. LTD.	
DIMENSIONS: mm 	TOLERANCES UNLESS OTHERWISE SPECIFIED: 0 PLC ±- 1 PLC ±1 2 PLC ±0.35 3 PLC ±0.25 4 PLC ±- ANGLES ±1°	NAME FIBRE-OPTIC WALL-MOUNTED BOX	SIZE A3 CAGE CODE 00779 DRAWING NO C-84751	SCALE 2:5 SHEET 2 OF 2 REV A
MATERIAL -	FINISH -	CUSTOMER DRAWING		